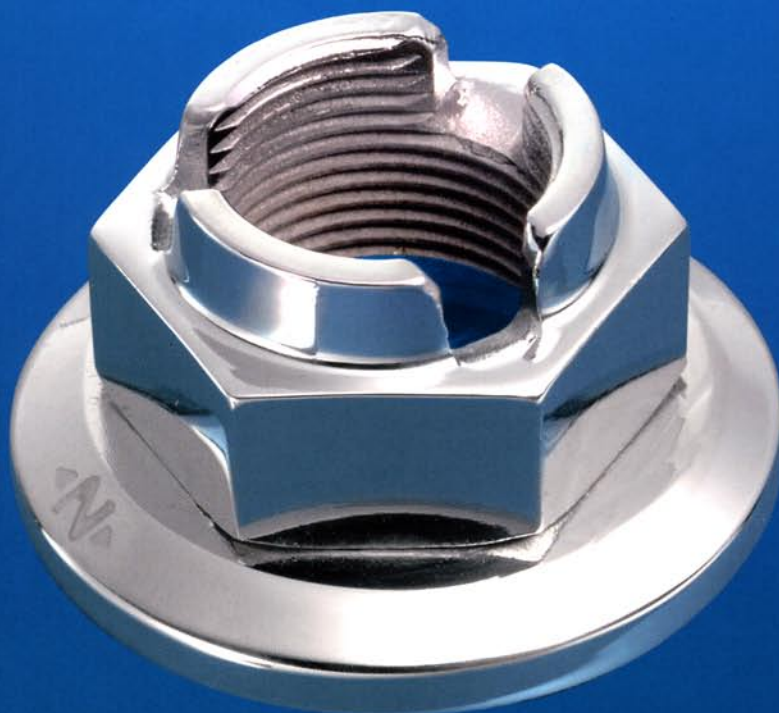


A Member of the Neumayer Group

Neumayer
HAUSACH

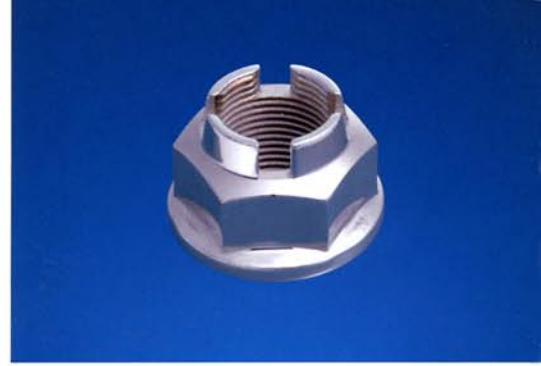
ENKO[®]

All metal locknut



The ENKO[®] Locknuts

Repeatable precision at an attractive system price



Locknuts are an essential component for the designer. The new ENKO[®] nut offers the precision and reliability that the designer expects:

it remains secure, even after repeated application, will not damage the bolt thread and eliminates the need for additional locking systems.

And that also means the lower system cost that today's customer demands

ENKO[®] solutions for:

Gears

Axles

Steering Mechanisms

The elastic-type locking elements ensure:

High reliability

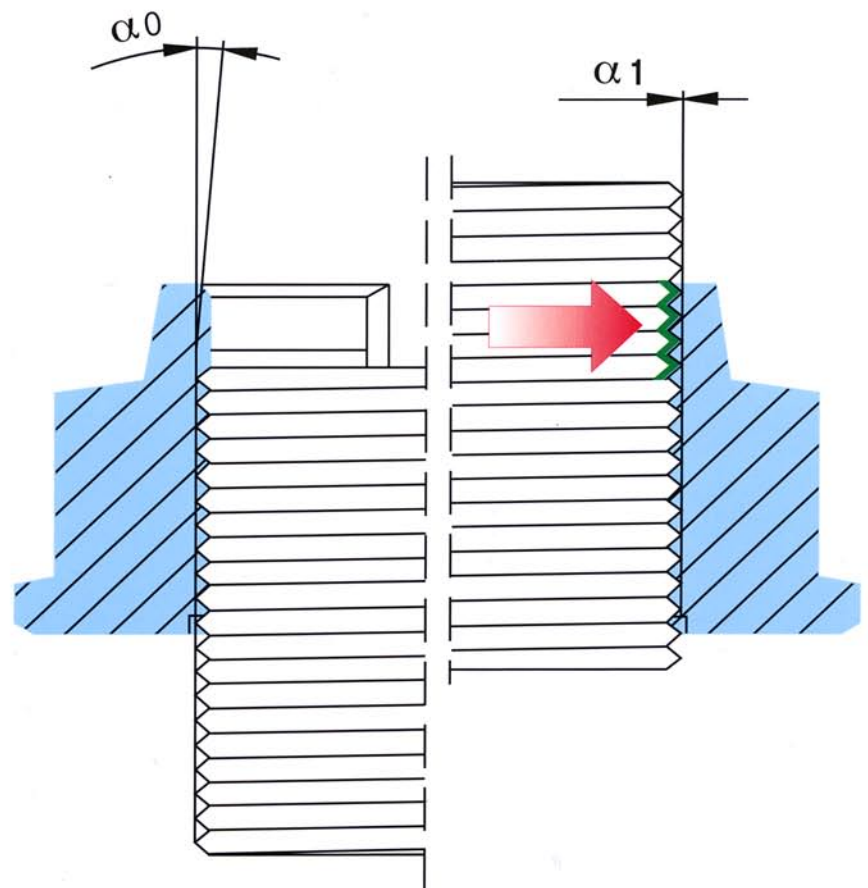
Outstanding reliability, even after repeated application.

Locking action

Precisely crafted locking elements provide a uniform locking action.

Repeated application

The elastic nature of the locking element prevents damage the thread.





ENKO®, the all metal locknut

The internal thread is machined on high precision NC-machines:

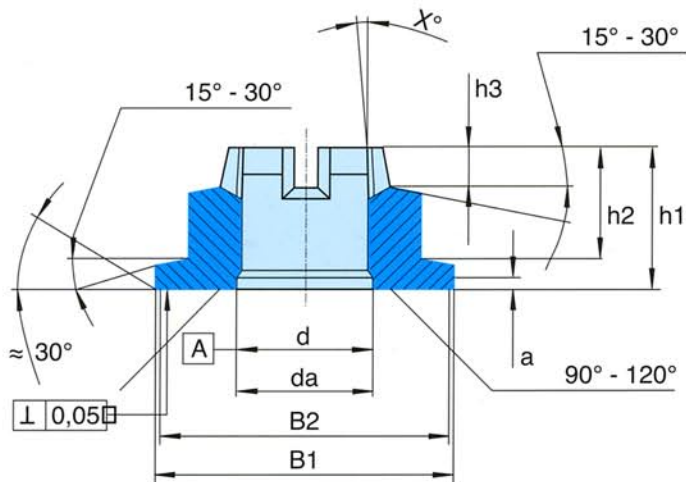
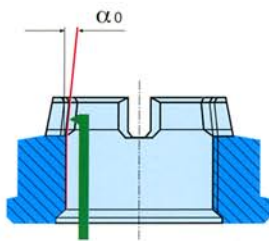
high reliability

precise squareness of thread to bearing face

close tolerances

uniform prevailing torque

precise prevailing torque range



The locking elements are designed to suit the application:

special dimensions to the customer's specifications

functional flexibility

precise dimensioning to save material costs

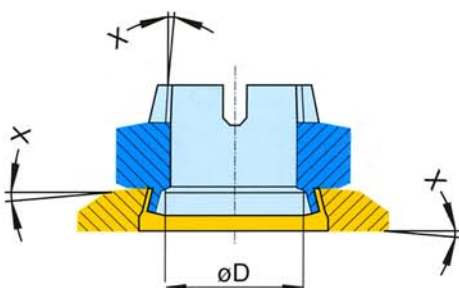
ENKO® nuts with spring washer:

spring effect provides uniform preload even after settling of the joint

better surface-to-surface fit results in a more uniform surface pressure

constant elasticity, even after repeated application

low scattering of the friction between nut and washer resulting constant preload



Tested reliability

The 'Staatliche Materialprüfungsanstalt Darmstadt' compared specific functions of modern locknut systems.

The result demonstrates that the ENKO® locknut offers clear advantages in every design category.

Locking Systems

	ovalized neck	3 dentings	special thread	nylon insert	ENKO®
adjustability prevailing torque	—	—	—	0	+
prevailing torque tolerance	—	—	—	0	+
bolt thread damage	—	0	+	+	+
temperature range	+	+	+	—	+
reusability	—	—	+	0	+

The ENKO® system reduces costs

Easy installation and reusability, with no need for additional components, means lower cost for the bolt/nut fastening system.

Technical data

*M14 to approx. M100
any wrench configuration (hexagonal, polygonal)
with and without collar
with and without spring washer*

System cost comparison

